



THE WILLIAMS  
**BROTHERS**  
CORPORATION

## WB-EXT EXTERIOR T HANDLE ACCESS DOOR

The WB-EXT Exterior T Handle Access Door is constructed of galvanized steel and is insulated. It features two types of gasketing: weather resistive open cell microcellular polyurethane gasketing and closed cell neoprene sponge SC42 W/PSA stripping gasketing on the inside for outdoor applications (certain saltwater areas might not be compatible).

### FEATURES

<b>Door &amp; Trim</b>	16 ga. satin coat galvanized steel, trim 1 3/4" wide.
<b>Frame</b>	Continuous stainless steel piano hinge. Allows opening to 180°
<b>Latch</b>	Chrome-plated zinc "T" type handle with pivot rod 3 point catch. Opens from the outside only.
<b>Finish</b>	Powder coat white
<b>Insulation</b>	2" Layer AMVIC <i>SilverBoard Ridge Foam Insulation</i> with a R/O Value 10
<b>Gasket</b>	Open celled microcellular polyurethane on inside of door and closed cell neoprene sponge SC42 W/PSA stripping gasketing on the back of the door
<b>Application</b>	For exterior purposes, weather resistive
<b>Options</b>	Powder coat grey ASA61

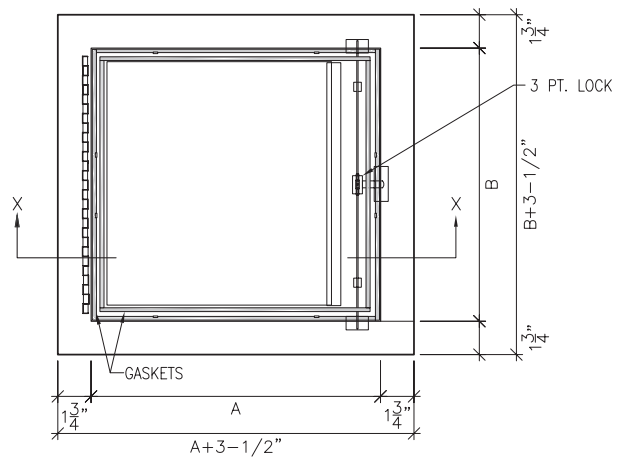
Model No.	A x B Door Size	Shipping Weight (lbs)
WB-EXT 12x12	12" x 12"	27
WB-EXT 14x14	14" x 14"	32
WB-EXT 16x16	16" x 16"	36
WB-EXT 18x18	18" x 18"	41
WB-EXT 22x30	22" x 30"	45
WB-EXT 22x36	22" x 36"	50
WB-EXT 24x24	24" x 24"	55
WB-EXT 24x36	24" x 36"	67
WB-EXT 30x30	30" x 30"	75
WB-EXT 30x36	30" x 36"	79
WB-EXT 36x36	36" x 36"	90

Rough wall opening = door size + 1/4"

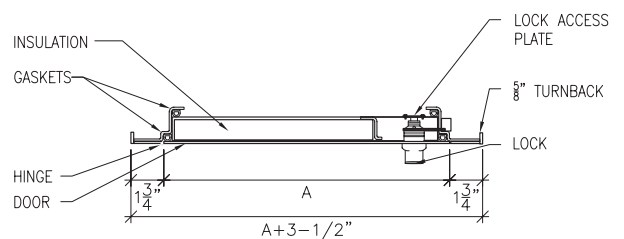


WB-EXT

### DIMENSIONS



Elevation



Section Detail